

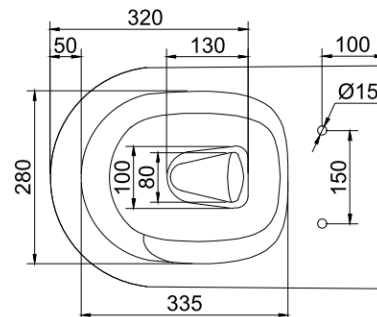
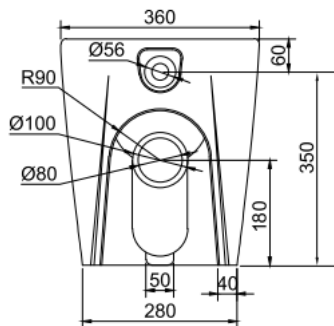
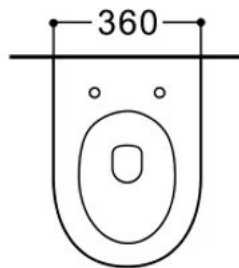
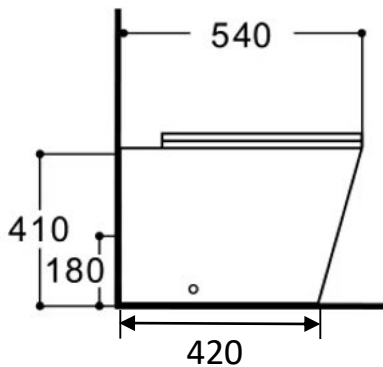


Brand : Bellini
 Model : LX-71088SV
 Color : White
 Size : 540 x 360 x 410mm
 Description : Back to wall WC pan with soft close seat & cover . P Trap 180mm .
 Tornado Flushing
 Origin : PRC



Remarks :
 * WELS in Grade 1 (Reg no: WC 25-0043)
 * Comply with BSEN997: 2018 & BS3402: 1969
 * JC/T 897-2014 Antiseptic function of antibacterial ceramic
 (Report no : 2025FM08579R01D)
 * GB/T 31042-2023 Antibacterial Test on seat & cover
 (Report no: CTT25090819031)

**** Soft close seat & cover should be changed to used in model no: 1005 **
 (as below sketch)**





水務署
Water Supplies Department

香港灣仔告士打道七號入境事務大樓
Immigration Tower, 7 Gloucester Road, Hong Kong.

電子郵遞
e-mail wsdinfo@wsd.gov.hk

電話
Telephone

圖文傳真 2824 0578
Facsimile

檔號
Reference (3) in WSD 3321/5/20/2025 T/J(40/2025)

18 July 2025

E&I International Limited
8/F, Block B, Chung Mei Centre,
15 Hing Yip Street, Kwun Tong,
Kowloon, Hong Kong
(Attn.: Ms. Grace LAM)

Dear Ms. LAM,

**The Water Efficiency Labelling Scheme (WELS)
on Water Closets
Acceptance of Application for Registration**

With reference to your letter ref. GL20250627 received by us on 30 June 2025 and email dated 4 July 2025, I am pleased to inform you that your application for the registration of water closet to the captioned scheme has been accepted and the certificate of registration is attached for your retention. The registration information is as follows:

<i>Brand</i>	<i>Model no.</i>	<i>Type</i>	<i>Country/ Region of origin</i>	<i>Registration no.</i>	<i>Water efficiency grade</i>	<i>Water flush volume (full) (litres/flush)</i>	<i>Water flush volume (reduced) (litres/flush)</i>
Bellini	LX-71088SV	Water Closet Pan	China	WC 25-0043	1	4.8	3.0



You are reminded of the following compulsory requirements of the water efficiency label in accordance with Section 7.1 of the Scheme Document:

- i) to affix the full version water efficiency label to the above registered water closet or its packaging at a prominent location; and**
- ii) to ensure that the registered water closet shall be displayed for sale with the full version water efficiency label.**

Soft copy of water efficiency label (both simplified version and full version as described in Section 7 of the Scheme Document) will be issued to you separately.

As part of the conditions of our acceptance, your attention is drawn to Sections 9.17, 10 and 11 of the Scheme Document respectively for the requirements of the participant's obligations, legal provisions as well as compliance monitoring and inspection. The Scheme Document can be downloaded from our website:

https://www.wsd.gov.hk/filemanager/en/content_1786/scheme_document_water_closets.pdf

Should you have any queries on the above, please contact our Engineer Mr. Albert CHOW at telephone no. 3583 4147.

Yours sincerely,



(Terry KUNG)

for Director of Water Supplies

Encl.



自願參與用水效益標籤計劃 - 水廁
Voluntary Water Efficiency Labelling Scheme - Water Closets

Certificate of 註冊證書
Registration

茲證明


This is to certify that

E&I International Limited

將下列水廁在本計劃內註冊：

has registered the following water closet under this scheme :

牌 子 / Brand	:	Bellini
型 號 / Model	:	LX-71088SV
種 類 / Category	:	Water Closet Pan
原 產 地 / Country or Region Origin	:	China

在用水效益標籤上展示的標誌 <i>Symbolic Presentation on the Water Efficiency Label</i>	:	 滴水點 <i>Water droplet(s)</i>
用水效益級別 <i>Water Efficiency Grade</i>	:	1
全沖水量 <i>Water Flush Volume (Full)</i>	:	4.8 公升/沖廁 <i>litres/flush</i>
低沖水量 <i>Water Flush Volume (Reduced)</i>	:	3.0 公升/沖廁 <i>litres/flush</i>

簽發日期：
Date of Issue: 18 July 2025

 水務署
Water Supplies Department



水務署署長(龔庭瑋代行)
for Director of Water Supplies

+ 上述水廁具額外節水功能，即：重用洗盥水作沖廁用途。
The above water closet is equipped with additional water saving feature, that is: re-use the water collected from wash basin for flushing purpose.



TEST REPORT

25 JUN 2025 Jenny



REPORT REFERENCE NO. : REIA112W
TITLE : Testing of WC pan
METHOD OF TEST : The Voluntary Water Efficiency Labelling Scheme on Water Closets
(April 2021) & BS EN 997:2018
PERIOD OF TESTS : 23rd Jun., 2025
SAMPLE SUBMITTED BY : E & I International Limited
(Information below provided by client) RM 5-7, 8/F., Blk B, Chung Mei Centre,
15 Hing Yip St., Kwun Tong, Kowloon, H.K..

DESCRIPTION OF SAMPLE : WC pan with horizontal outlet

Sample	WC pan
Brand	Bellini
Model	LX-71088SV
Manufacturer	廣東乐贤卫浴有限公司
Origin	PRC
Body marking	

SUMMARY OF RESULTS :
(Definition of 'C'- Conformance, '-'- No requirement & 'NC'- Non-Conformance)

Tested item/s	Remark
1. Flush Volume - Reduced Flush (for dual flush only)	C
2. Solid Discharge for Maximum Flush	C
3. Liquid Contaminant Dye Retention	C
4. Paper Discharge for Reduced Flush Volume (for Dual Flush only)	C

Date : 25 JUN 2025

Authorized signature :

Sunny K.S. Wong
(Director)



RESULTS: - (apply only to the sample tested)



1. Flush Volume - Reduced Flush (for dual flush only)

The Flush Volume WELS on Water Closets, April 2021, Section I ,A4 & A5
(Clause 6.5.2 in BS EN 997:2018)

Sample	Flush volume (per flush)		Remark
	Full flush	Reduced flush ($\leq \frac{2}{3}$ of the full flush volume)	
1 st	4.8	3.1	C
2 nd	4.8	3.1	C
3 rd	4.7	3.0	C
4 th	4.8	2.9	C
5 th	4.7	3.0	C
Average	4.8	3.0	C
Overall result	Grade 1 $ff \leq 4.8$	Grade 1 $fr \leq 3.2$	C

2. Solid Discharge for Maximum Flush

The Flush Volume WELS on Water Closets, April 2021, Section II B4 & B5
(Clause 6.9 in BS EN 997:2018)

Flush cycle	All four test specimens were evacuated		Total flush volume (litre)	Measured after-flush volume		Remark
	YES	NO		in litre	in % of total flush volume	
1 st	YES		4.8	2.1	43.8	C
2 nd	YES		4.8	2.5	52.1	C
3 rd		NO	4.8	/	/	NC
4 th	YES		4.8	2.2	45.8	C
5 th	YES		4.8	2.0	41.7	C
6 th	YES		4.8	2.7	56.3	C
7 th		NO	4.8	/	/	NC
8 th	YES		4.8	2.3	47.9	C
9 th	YES		4.8	2.2	45.8	C
10 th	YES		4.8	2.0	41.7	C
Requirement	For the first six flush cycles or for a minimum of 8 out of 10 flush cycles, each of the four test specimens shall be completely evacuated.		/	/	≥ 40	C



3. Liquid Contaminant Dye Retention

The Flush Volume WELS on Water Closets, April 2021, Section III C4 & C5
(Clause 6. 11 in BS EN 997:2018)

Flush cycle	Measured level of contaminate (%)		Remark
	Full flush	Reduced flush	
1 st	< 1	< 6	C
2 nd	< 1	< 6	C
3 rd	< 1	< 6	C
4 th	< 1	< 6	C
5 th	< 1	< 6	C
6 th	/	/	/
7 th	/	/	/
8 th	/	/	/
9 th	/	/	/
10 th	/	/	/
Requirement	For the first 5 flush cycles, or for a minimum of 9 out of 10 flush cycles, the contaminate level shall be 1% (max.) (at full-flush volume) and 6% (max.) (at reduced-flush volume)		C

4. Paper Discharge for Reduced Flush Volume (for Dual Flush only)

The Flush Volume WELS on Water Closets, April 2021, Section IV D4 & D5
(Clause 6. 10 in BS EN 997:2018)

Flush cycle	All six sheets of toilet paper were evacuated		Remark
	YES	NO	
1 st	YES		C
2 nd	YES		C
3 rd	YES		C
4 th	YES		C
5 th	YES		C
6 th	YES		C
7 th	/	/	/
8 th	/	/	/
9 th	/	/	/
10 th	/	/	/
Requirement	For the first six flush cycles, or for a minimum of eight out of ten flush cycles, all six sheets of toilet paper shall be flushed out of the water closet pan and outlet.		C



Report reference no.: REIA112W

25 JUN 2025 Jenny

IDEAL Test Consultants Ltd.
CERTIFIED
TRUE COPY
Signed by: Ma Jenny Zhao



Figure 1- Front view of the Sample



Figure 2- Side view of the Sample



Figure 3 – Bottom view of Sample



Figure 4-Body marking

- End of report -



IDEAL Test Consultants Ltd.
亞典測試顧問有限公司

Unit 18, 8/F., World-Wide Industrial Ctn,
43 - 47 Shan Mei Street,
Fo Tan, N.T. H.K..
Tel: 3702 1986 Fax: 3702 1987
Email: sunny@idealtest.com.hk

TEST REPORT

REPORT REFERENCE NO. : REIA112
TITLE : Testing of WC pan
METHOD OF TEST : BSEN997: 2018 & BS3402: 1969
PERIOD OF TESTS : 25th Jun., 2025 to 14th Jul., 2025
SAMPLE SUBMITTED BY : E & I International Limited
(Information below provided by client) RM 5-7, 8/F., Blk B, Chung Mei Centre,
15 Hing Yip St., Kwun Tong, Kowloon, H.K..

Sample	WC pan
Brand	Bellini
Model	LX-71088SV
Manufacturer	廣東乐贤卫浴有限公司
Origin	PRC
Body marking	



SUMMARY OF RESULTS :


Sample - Front & Bottom view

(Definition of 'C' - Conformance, 'NC' - Non-Conformance & '/' - No requirement.)

Test	Overall result
1. Water absorption	C
2. Crazing test	C
3. Chemical resistance test	C
4. Resistance to Staining and Burning	C

Date: 21/5/2025

Authorized signature: _____


Sunny K.S. Wong
(Director)



Report reference no.: REIA112

RESULTS: - (apply only to the sample tested)

1. Water absorption

(BSEN997: 2018 Cl 5.3 & 5.7.3)

Item	Sample	Requirement	Remark
Arithmetic average (%)	0.24	0.5 max.	C
Overall result			C

2. Craze test

(BS3402: 1969 Cl.7 & App. B)

Item	Sample	Requirement	Remark
Saturated steam pressure (MN/m ²)	0.34	0.33 – 0.35	C
Duration (hour)	10	10	C
Sign of crazing	Nil	Nil	C
Overall result			C

3. Chemical Resistance test

(BS3402: 1969 Cl.8 & App. C)

Chemical	Strength of solution (%)	Temperature (°C)	Immersion period (hour)	Loss of reflectivity on the glaze		Remark
				Sample	Requirement	
Acetic acid	10	100	16	Nil	Nil	C
Citric acid	10	100	16	Nil	Nil	C
Detergent		60	48	Nil	Nil	C
Hydrochloric acid		20	48	Nil	Nil	C
Sodium hydroxide	5	60	0.5	Nil	Nil	C
Sodium stearate	0.15	60	48	Nil	Nil	C
Sulphuric acid	3	100	16	Nil	Nil	C
Overall result						C

4. Resistance to Staining and Burning

(BS3402: 1969 Cl.9 & App. D)

Treatment list		Stain remained on test piece		Remark
		Sample	Requirement	
Chemical treatment	Methylene blue	Nil	Nil	C
	Sodium hypochlorite	Nil	Nil	C
	Hydrogen peroxide	Nil	Nil	C
	Amyl acetate	Nil	Nil	C
	Iodine in ethanol	Nil	Nil	C
Cigarette treatment		Nil	Nil	C
Overall result				C

Note: Ozone Layer Protection Ordinance (OLPO) giving effect to Hong Kong to ban the import of Carbon tetrachloride, hence, this test cannot be proceeded.

- End of report -



广微测
Gmicro Testing



201819000883



中国认可
国际互认
检测
TESTING
CNAS L1747



推荐实验室

广东省微生物分析检测中心

GUANGDONG DETECTION CENTER OF MICROBIOLOGY

分析检测报告

REPORT FOR ANALYSIS

报告编号

2025FM08579R01D

Report No.

样品名称

卫生陶瓷瓷片

Name of Sample

Sanitary ware ceramic chip

委托单位

广东乐贤卫浴有限公司

Applicant

GUANGDONG LOVEX SANITARY WARE CO.,LTD.

检测类型

委托检测

Test Type

Entrustment Test

单位地址: 广州市先烈中路 100 号大院 66 号楼

Address: Building 66, No. 100, Xianlie Middle Road, Guangzhou, China

邮政编码: 510070

Postcode:

电话号码: (020)87137666

Tel:

传真号码: (020)87137668

Fax:

网 址: www.gddcm.com

Website:





广微测
Gmicro Testing

广东省微生物分析检测中心

GUANGDONG DETECTION CENTER OF MICROBIOLOGY

分析检测报告

REPORT FOR ANALYSIS



报告编号 (Report No.) 2025FM08579R01D 校验码 (Verification Code) : APBKBYMQ

样品名称 Name of Sample	卫生陶瓷瓷片 Sanitary ware ceramic chip	检测类型 Test Type	委托检测 Entrustment Test
委托单位 Applicant	广东乐贤卫浴有限公司 GUANGDONG LOVEX SANITARY WARE CO.,LTD.	地址 Address	广东省潮州市潮安区古巷镇古巷五村山埔 SHANBU AREA GUWU VILLAGE,GUXIANG TOWN CHAOAN DISTRICT, CHAOZHOU CITY,GUANGDONG PROVINCE,CHINA
样品来源 Sample Source	委托方送检 Submitted for Testing by the Applicant	样品数量 Sample Quantity	14 片 14 pcs
样品规格和批号 Spec and Lot No of Sample	5cm*5cm	样品状态和特性 State and Characteristic	片状, 白色 Flaky, White
接样日期 Sample Received Date	2025-05-19	验讫日期 Completion Date	2025-05-30
检测项目 Item Tested	抗菌性能 Antibacterial properties		
检测依据和方法 Test Standard and Method	JC/T 897-2014		
检测结论 Test Conclusion	<p>经检验, 该样品对大肠杆菌 (AS 1.90) 和金黄色葡萄球菌 (AS 1.89) 的抗菌率分别为 99.99%、98.02%。</p> <p>The results showed that the antibacterial rates of <i>Escherichia coli</i> (AS 1.90) and <i>Staphylococcus aureus</i> (AS 1.89) were 99.99% and 98.02%, respectively.</p> <p>签发日期: 2025-05-30 Issue Date</p> <p>(机构盖章 Official Seal)</p>		
备注 Remarks	<p>1.生产厂家:广东乐贤卫浴有限公司,地址:广东省潮州市潮安区古巷镇古巷五村山埔。(由委托方提供)</p> <p>2.Manufacturer : GUANGDONG LOVEX SANITARY WARE CO.,LTD., Address : SHANBU AREA GUWU VILLAGE,GUXIANG TOWN CHAOAN DISTRICT , CHAOZHOU CITY,GUANGDONG PROVINCE,CHINA .(provided by the applicant)</p>		

生物
检验

制表:
Editor

陈颖婷

审核:
Verifier

孙延丽

批准:
Approver

陈保



广微测
Gmicro Testing

广东省微生物分析检测中心

GUANGDONG DETECTION CENTER OF MICROBIOLOGY

分析检测结果

ANALYSIS AND TEST RESULT

报告编号 (Report No.): 2025FM08579R01D

测试微生物 The tested organism	接种菌液浓度 Concentration of inoculum (cfu/mL)	空白对照样品“0” 接触菌落总数 Colonies of contact blank control samples at “0” time (cfu/ piece)	空白对照样品培养 24h 后菌落总数 Colonies of contact blank control samples at “24” time (cfu/ piece)	抗菌陶瓷试样培养 24h 后菌落总数 Colonies of contact antibacterial ceramic sample at “24” time (cfu/ piece)	抗菌率 Antibacterial rate (%)
大肠杆菌 (<i>Escherichia coli</i>) AS1.90	2.7×10^4	7.6×10^3	7.8×10^6	1.2×10^2	99.99
金黄色葡萄球菌 (<i>Staphylococcus aureus</i>) AS1.89	2.9×10^4	8.0×10^3	8.6×10^6	1.7×10^5	98.02
(以下空白 Blank Below)					

分析
专用



注意事项 Notice Items

1. 检测报告无本机构检验检测专用章、骑缝章无效。

The test report is invalid without the special stamp of testing and paging seal.

2. 检测报告无制表、审核、批准人签字无效。

The test report is invalid without the signatures of the editor, the verifier and the approver.

3. 检测报告涂改增删无效。

The test report is invalid if being supplemented, deleted or altered.

4. 未经本机构书面同意, 不得部分复制 (全部复制除外) 检测报告。

Without prior written permission, the test report cannot be reproduced, except in full.

5. 除非另有说明, 检测报告仅对来样负责。

Unless otherwise stated, the results shown in this test report refer only to the sample(s) tested.

6. 对检测报告有异议的, 应于收到报告之日起十五日内提出, 逾期不予受理。

Any dispute of the test report must be raised to the testing institution within 15 days after the test report is received, exceeding which the dispute will not be accepted.

7. 对送检样品, 样品信息由委托方提供, 本机构不对其真实性负责。

For the sample(s) submitted for testing, the sample information is provided by the applicant, and this testing institution is not responsible for its authenticity.





中国认可
国际互认
检测
TESTING
CNAS L3068

Report

CTT25090819031

Page 1 of 4

Test Report

Sample Name: Toilet seat cover

Applicant: MEIJIANFA Factory

Inspection Sort: Entrustment Inspection



Guangdong Consumer Testing Technology Co., Ltd.




Test Report

Report

CTT25090819031

Page 2 of 4

Sample Information			
Sample Name	Toilet seat cover	Trade Mark	---
Model	1005	Quantity	1
Grade/Sort	---	Manufacturer/ate/Lot No.	---
Manufacturer	---	Supplier	---
Address	---		
Applicant Information			
Applicant	MEIJIANFA Factory		
Address	Changmei Meiguang Industrial Zone, Fengxi District, Chaozhou City, Guangdong Province		
Test Information			
Sample Received Date	Oct 28, 2025	Sample Status	Intact package
Completed Date	Nov 06, 2025	Testing Environment	Meet the requirements
Conclusion(s): ---			
			
Remark ---			
Edited by	<i>Wendy</i>	Reviewed by	<i>Darwin.Wu</i>
		Approved by	<i>Nicole</i> Authorized signatory

中鼎检测
金检测
1982

This report is issued in accordance with our General Conditions of Services printed on the back and can be accessible at <http://www.cttlab.com>. The sample is provided by the applicant, our company is not responsible for the authenticity information of the sample. The results shown in this report only apply to the sample as received unless otherwise stated. Without prior written permission of the company, this report cannot be partially reproduced. If there is any objection to this test report, please raise it to our company within 30 days after receiving the report and a verdict will not be accepted. Items marked with "N" means they are not accredited by CNAS (if with CNAS logo). The report shall not be used as evidence to the public if without CMA logo.

Consumer Testing Technology Co., Ltd.

No.7, Gongye Beisi Road, Songshanhu High-Tech Industrial Development Park, Dongguan, Guangdong, China
 Tel: 0769-8898 9888 Fax: 0769-8898 8808 Email: enquiry.fd@cttlab.com Hotline: 4006789666 [Http://www.cttlab.com](http://www.cttlab.com)



Test Report

Report

CTT25090819031

Page 3 of 4

Test Item:Antibacterial Activity Test Method:GB/T 31402-2023 《Measurement of antibacterial activity on plastics and other non-porous surfaces》 Sample status: Plastics,50mm×50mm,Thickness≤10mm; (Treated and untreated test materials) Covering film:Polyethylene,16cm ² ,Thickness :0.05mm~0.10mm Test inoculum:V=0.4mL Test Time:24h						
Test Strain	Bacterial suspension concentration (cells/mL)	Test sample	Average number of viable bacteria (cells/cm ²)	Logarithmic mean of the number of viable bacteria	Antibacterial Activity R	Antibacterial Rate (%)
<i>Staphylococcus aureus</i> ATCC 6538P	5.5×10 ⁵	U ₀	2.0×10 ⁴	4.3	3.2	99.9
		U _t	2.0×10 ⁵	5.3		
		A _t	1.2×10 ²	2.1		
<i>Escherichia coil</i> ATCC 8739	5.7×10 ⁵	U ₀	1.8×10 ⁴	4.3	3.6	>99.9
		U _t	1.8×10 ⁵	5.3		
		A _t	53	1.7		
U ₀ :The average of the common logarithm of the number of viable bacteria, reovered from the untreated test specimens immediately after inoculation; U _t :The average of the common logarithm of the number of viable bacteria , reovered from the untreated test specimens after 24h; A _t :The average of the common logarithm of the number of viable bacteria, recovered from the treated test specimens after 24 h.						



This report is issued in accordance with our General Conditions of Services printed on the back and can be accessible at <http://www.cttlab.com>. The sample is provided by the applicant, our company is not responsible for the authenticity information of the sample. The results shown in this report only apply to the sample as received unless otherwise stated. Without prior written permission of the company, this report cannot be partially reproduced. If there is any objection to this test report, please raise it to our company within 30 days after receiving the report and o verdue will not be accepted. Items marked with "N" means they are not accredited by CNAS (if with CNAS logo). The report shall not be used as evidence to the public if without CMA logo.

Consumer Testing Technology Co.,Ltd.

No.7, Gongye Beisi Road, Songshanhu High-Tech Industrial Development Park, Dongguan, Guangdong, China.
 Tel: 0769-8898 9888 Fax: 0769-8898 8808 Email: enquiry.fd@cttlab.com Hotline: 4006789666 [Http:// www.cttlab.com](http://www.cttlab.com)



Test Report

Report

CTT25090819031

Page 4 of 4

Photo of Sample(s):



****End of Test Report****



This report is issued in accordance with our General Conditions of Services printed on the back and can be accessible at <http://www.cttlab.com>. The sample is provided by the applicant, our company is not responsible for the authenticity information of the sample. The results shown in this report only apply to the sample as received unless otherwise stated. Without prior written permission of the company, this report cannot be partially reproduced. If there is any objection to this test report, please raise it to our company within 30 days after receiving the report and our verdict will not be accepted. Items marked with "N" means they are not accredited by CNAS (if with CNAS logo). The report shall not be used as evidence to the public if without CMA logo.

Consumer Testing Technology Co.,Ltd.

No.7, Gongye Beisi Road, Songshanhu High-Tech Industrial Development Park, Dongguan, Guangdong, China
Tel: 0769-8898 9888 Fax: 0769-8898 8808 Email: enquiry.fd@cttlab.com Hotline: 4006789666 [Http://www.cttlab.com](http://www.cttlab.com)

